

DH-IPC-HD2200C

Full HD Network IR Mini Dome Camera



Features

- 1/3" 3Megapixel progressive scan CMOS
- H.264 & MJPEG dual-stream encoding
- Max 25/30fps@1080P(1920 x1080)/720P(1280 x720)
- DWDR, Day/Night(Electronic), 2DNR, AWB, AGC, BLC
- Multiple network monitoring: Web viewer, CMS(DSS/PSS) & DMSS
- 3.6mm fixed lens (2.8mm,6mm optional)
- DC12V, PoE

DH-IPC-HD2200C

Technical Specifications

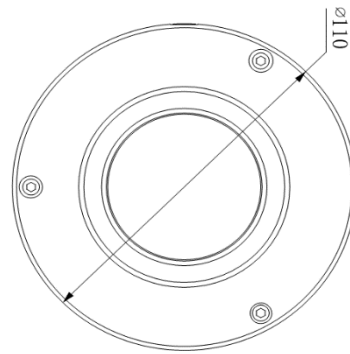
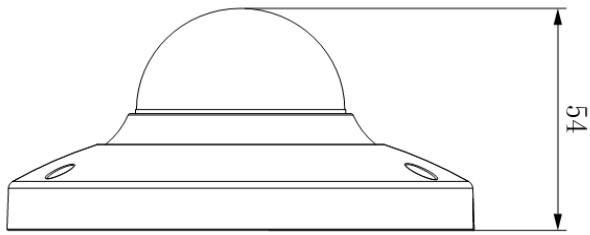
Model	DH-IPC-HD2200C-V2	
Camera		
Image Sensor	1/3" 3Megapixel progressive scan CMOS	
Effective Pixels	2048(H)x1536(V)	
Scanning System	Progressive	
Electronic Shutter Speed	Auto/Manual 1/3(4)~1/10000	
Min. Illumination	Color: 0.1Lux/F1.6, 0Lux (IR on)	
S/N Ratio	More than 50dB	
Video Output	N/A	
Camera Features		
Max. IR LEDs Length	N/A	
Day/Night	Auto(Electronic) / Color / B/W	
Backlight Compensation	BLC/ HLC/ DWDR	
White Balance	Auto/Manual	
Gain Control	Auto/Manual	
Noise Reduction	2D	
Privacy Masking	Up to 4 areas	
Lens		
Focal Length	3.6mm (2.8mm, 6mm optional)	
Max Aperture	F1.6	
Focus Control	Manual	
Angle of View	H:71.9°(89.8°/45°)	
Lens Type	Fixed lens	
Mount Type	Board-in Type	
Video		
Compression	H.264 / MJPEG	
Resolution	1080P(1920×1080)/720P(1280×720)/D1(704×576/704×480) /CIF(352×288/352×240)	
Frame Rate	Main Stream	1080P/720P(1 ~ 25/30fps)
	Sub Stream	D1/CIF(1 ~ 25/30fps)
Bit Rate	H.264: 16K ~ 8192Kbps	
Audio		
Compression	N/A	
Interface	N/A	
Network		
Ethernet	RJ-45 (10/100Base-T)	
Wi-Fi	N/A	
Protocol	IPv4/IPv6, HTTP, HTTPS, SSL, TCP/IP, UDP, UPnP, ICMP, IGMP, SNMP, RTSP, RTP, SMTP, NTP, DHCP, DNS, PPPOE, DDNS, FTP, IP Filter, QoS, Bonjour	
ONVIF	ONVIF Profile S	

DH-IPC-HD2200C

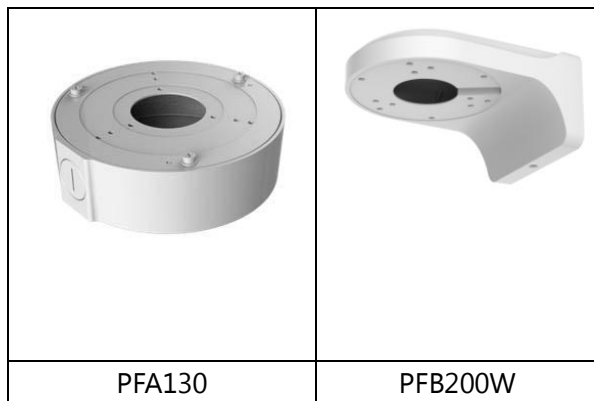
Max. User Access	10 users
Smart Phone	iPhone, iPad, Android, Windows Phone
Auxiliary Interface	
Memory Slot	N/A
RS485	N/A
Alarm	N/A
PIR Sensor Range	N/A
General	
Power Supply	DC12V, PoE (802.3af)
Power Consumption	Max 3W
Working Environment	-20°C~ +60°C, Less than 95%RH
Ingress Protection	N/A
Vandal Resistance	N/A
Dimensions	Φ110mm x 54mm
Weight	0.39Kg

DH-IPC-HD2200C

Dimensions (mm)



Accessory (optional)



Dahua Technology Co., Ltd.

1199 BinAn Road, Binjiang District, Hangzhou, China

Tel: +86-571-87688883

Fax: +86-571-87688815

Email: overseas@dahuatech.com

www.dahuatech.com

*Design and specifications are subject to change without notice.

© 2014 Dahua Technology Co., Ltd.